

Description

LM5D120N04 use advanced SGT MOSFET technology to provide low RDS(ON), low gate charge, fast switching and excellent avalanche characteristics.

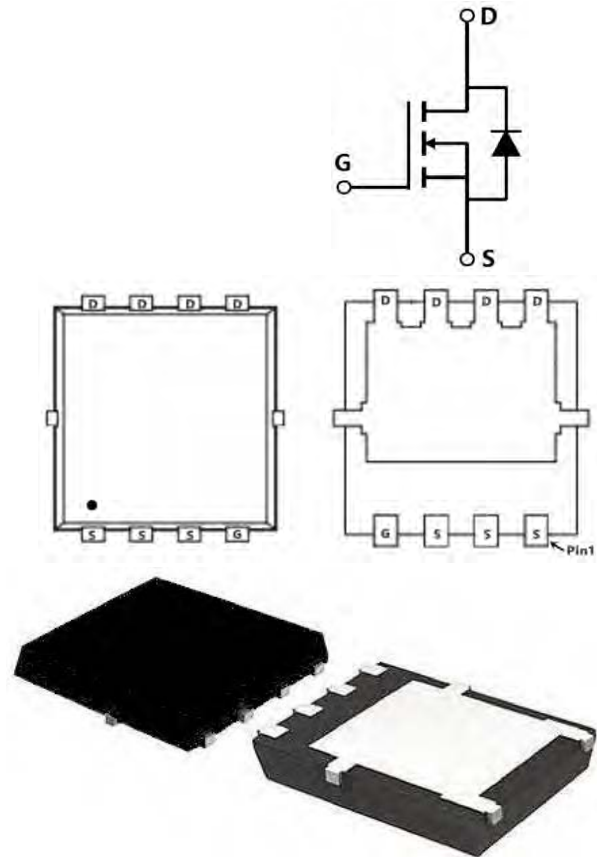
This device is specially designed to get better ruggedness and suitable to use in.

General Features

- Low RDS(on) & FOM
- Extremely low switching loss
- Excellent stability and uniformity or Invertors

Application

- Consumer electronic power supply
- Motor control
- Synchronous-rectification
- Isolated DC
- Synchronous-rectification applications



Package Marking and Ordering Information

Device	Device Marking	Device Package	Reel Size	Tape width	Quantity
LM5D120N04	-	DFN5X6-8	-	-	5000 units

Absolute Maximum Ratings (TC=25°C unless otherwise noted)

Symbol	Parameter	Rating	Units
V _{DS}	Drain-Source Voltage	40	V
V _{GS}	Gate-Source Voltage	±20	V
I _D @T _C =25°C	Continuous Drain Current, V _{GS} @ 10V ^{1,6}	120	A
I _D @T _C =100°C	Continuous Drain Current, V _{GS} @ 10V ^{1,6}	82	A
I _{DM}	Pulsed Drain Current ²	400	A
EAS	Single Pulse Avalanche Energy ³	400	mJ
I _{AS}	Avalanche Current	40	A
P _D @T _C =25°C	Total Power Dissipation ⁴	125	W
T _{STG}	Storage Temperature Range	-55 to 150	°C
T _J	Operating Junction Temperature Range	-55 to 150	°C
R _{θJA}	Thermal Resistance Junction-Ambient ¹	50	°C/W
R _{θJC}	Thermal Resistance Junction-Case ¹	1	°C/W

Electrical Characteristics (T_J=25°C, unless otherwise noted)

Symbol	Parameter	Conditions	Min.	Typ.	Max.	Unit
BVDSS	Drain-Source Breakdown Voltage	V _{GS} =0V, I _D =250uA	40	---	---	V
RDS(ON)	Static Drain-Source On-Resistance ²	V _{GS} =10V, I _D =20A	---	1.4	1.8	mΩ
		V _{GS} =4.5V, I _D =20A	---	2.0	2.6	
VGS(th)	Gate Threshold Voltage	V _{GS} =V _{DS} , I _D =250uA	1.2	1.6	2.2	V
IDSS	Drain-Source Leakage Current	V _{DS} =32V, V _{GS} =0V, T _J =25°C	---	---	1	uA
		V _{DS} =32V, V _{GS} =0V, T _J =55°C	---	---	5	
IGSS	Gate-Source Leakage Current	V _{GS} =±20V, V _{DS} =0V	---	---	±100	nA
gfs	Forward Transconductance	V _{DS} =5V, I _D =20A	---	53	---	S
R _g	Gate Resistance	V _{DS} =0V, V _{GS} =0V, f=1MHz	---	1.0	---	Ω
Q _g	Total Gate Charge (4.5V)	V _{DS} =15V, V _{GS} =10V, I _D =20A	---	45	---	nC
Q _{gs}	Gate-Source Charge		---	12	---	
Q _{gd}	Gate-Drain Charge		---	18.5	---	
Td(on)	Turn-On Delay Time	V _{DD} =15V, V _{GS} =10V, R _G =3.3, I _D =20A	---	18.5	---	ns
T _r	Rise Time		---	9	---	
Td(off)	Turn-Off Delay Time		---	58.5	---	
T _f	Fall Time		---	32	---	
Ciss	Input Capacitance	V _{DS} =20V, V _{GS} =0V, f=1MHz	---	3972	---	pF
Coss	Output Capacitance		---	1119	---	
Crss	Reverse Transfer Capacitance		---	82	---	
IS	Continuous Source Current ^{1,6}	V _G =V _D =0V, Force Current	---	---	100	A
VSD	Diode Forward Voltage ²	V _{GS} =0V, I _S =1A, T _J =25°C	---	---	1.2	V

Note :

1. The data tested by surface mounted on a 1 inch² FR-4 board with 2OZ copper.
2. The data tested by pulsed, pulse width $\leq 300\mu s$, duty cycle $\leq 2\%$
3. The EAS data shows Max. rating. The test condition is V_{DD}=25V, V_{GS}=10V, L=0.5mH, I_{AS}=40A
4. The power dissipation is limited by 150°C junction temperature
5. The data is theoretically the same as I_D and I_{DM}, in real applications, should be limited by total power dissipation.

Typical Electrical and Thermal Characteristics

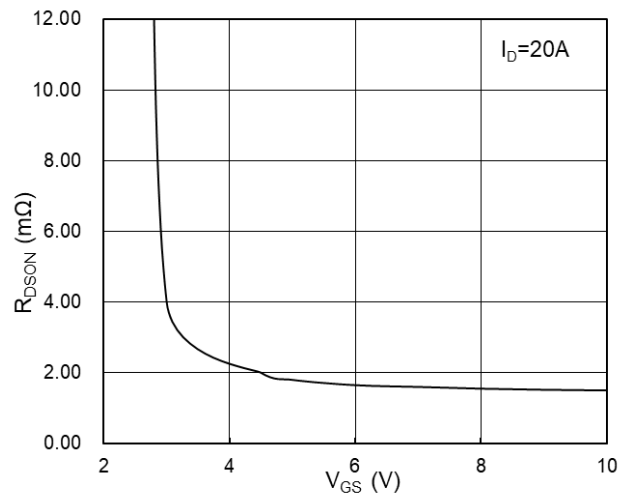
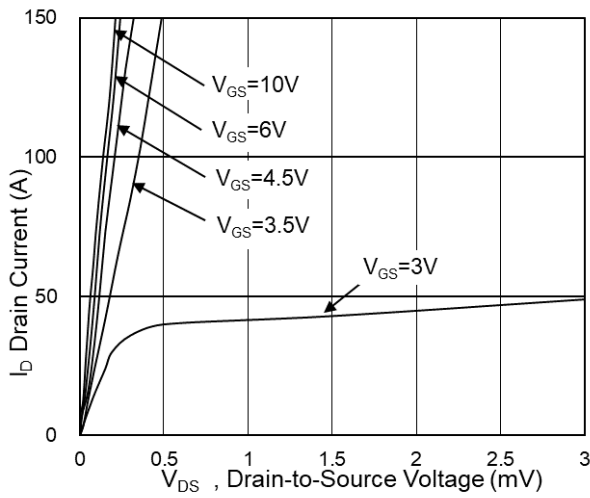


Fig.1 Typical Output Characteristics

Fig.2 On-Resistance vs G-S Voltage

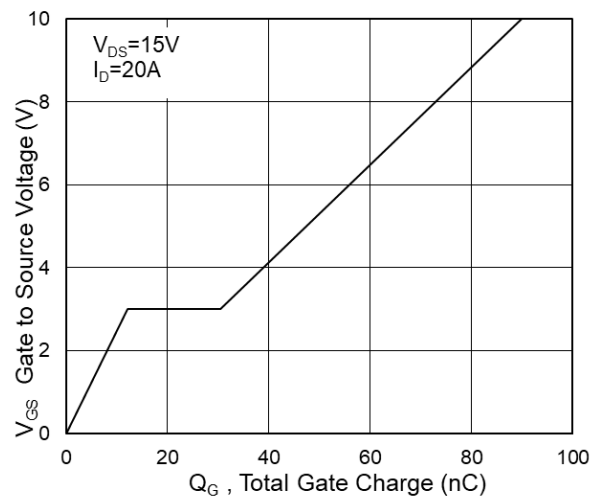
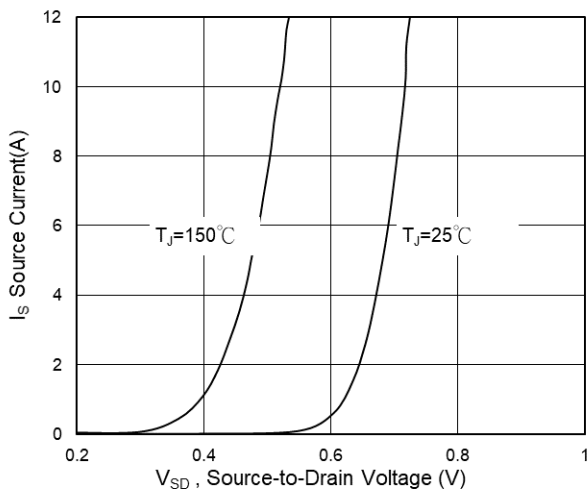


Fig.3 Source Drain Forward Characteristics

Fig.4 Gate-Charge Characteristics

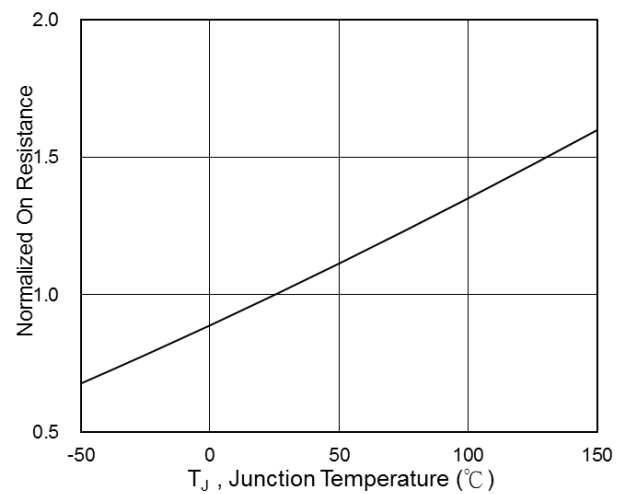
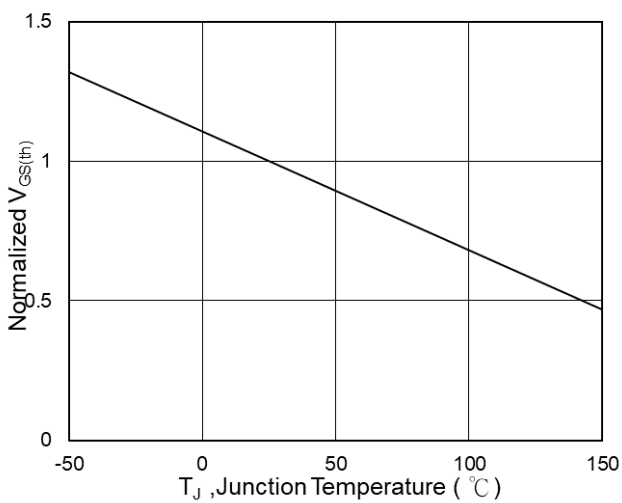


Fig.5 Normalized $V_{GS(th)}$ vs T_J

Fig.6 Normalized $R_{DS(on)}$ vs T_J

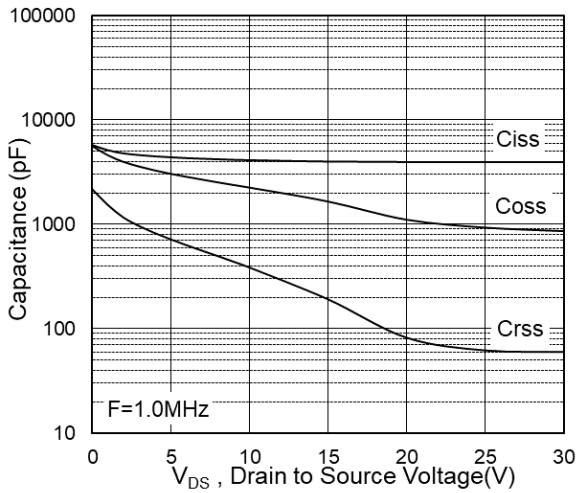


Fig. 7 Capacitance

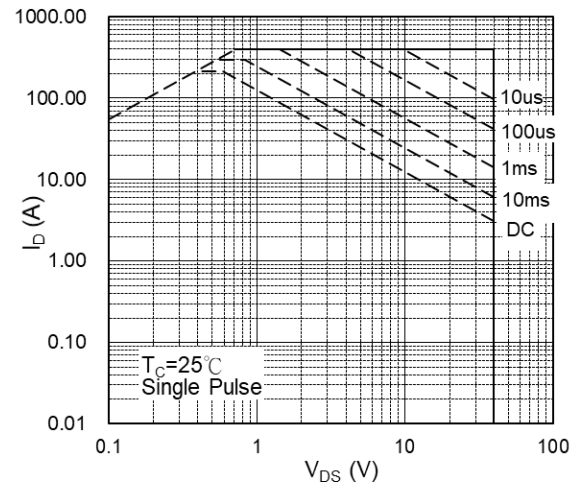


Fig. 8 Safe Operating Area

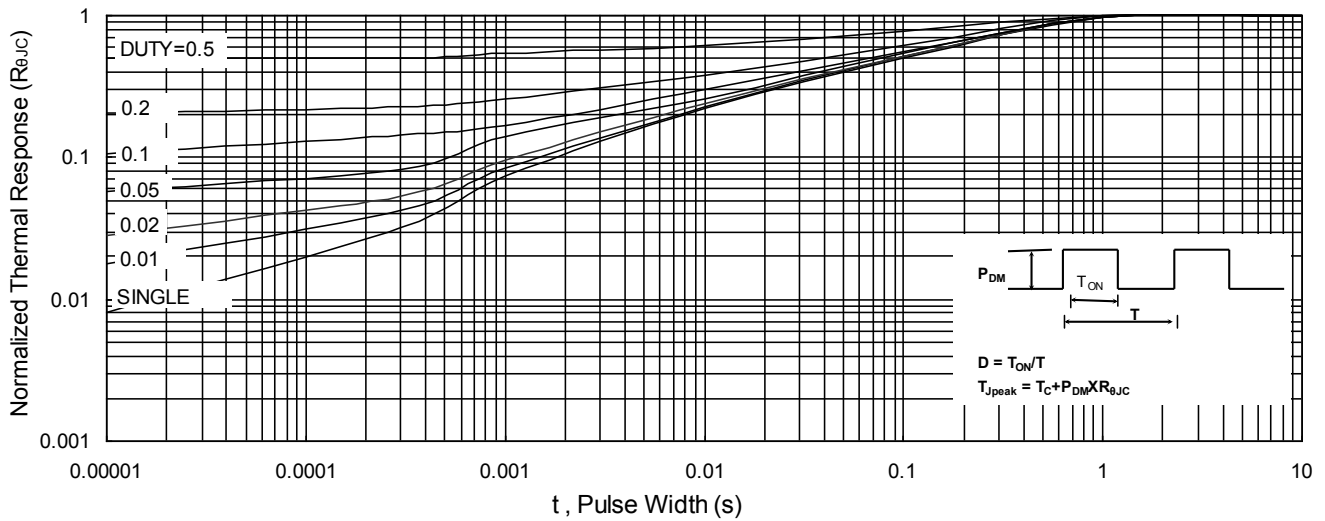


Fig. 9 Normalized Maximum Transient Thermal Impedance

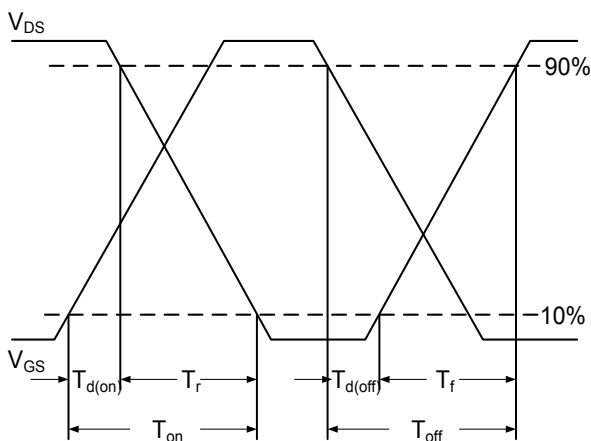


Fig. 10 Switching Time Waveform

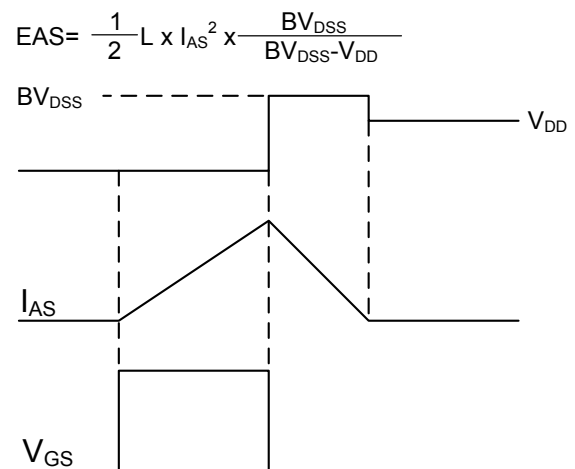
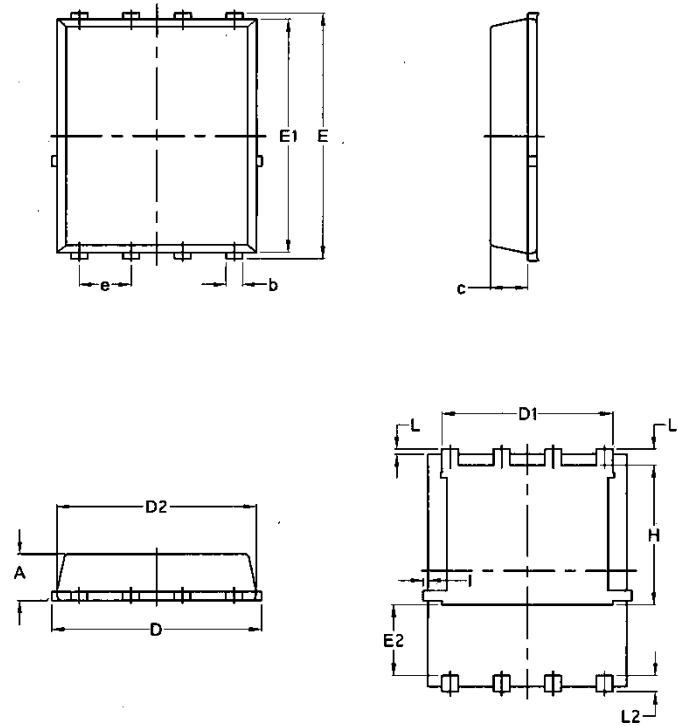


Fig. 11 Unclamped Inductive Switching Waveform

Package Mechanical Data-DFN5*6-8-JQ Single



Symbol	Common			
	mm		Inch	
	Min	Max	Min	Max
A	1.03	1.17	0.0406	0.0461
b	0.34	0.48	0.0134	0.0189
c	0.824	0.0970	0.0324	0.082
D	4.80	5.40	0.1890	0.2126
D1	4.11	4.31	0.1618	0.1697
D2	4.80	5.00	0.1890	0.1969
E	5.95	6.15	0.2343	0.2421
E1	5.65	5.85	0.2224	0.2303
E2	1.60	/	0.0630	/
e	1.27 BSC		0.05 BSC	
L	0.05	0.25	0.0020	0.0098
L1	0.38	0.50	0.0150	0.0197
L2	0.38	0.50	0.0150	0.0197
H	3.30	3.50	0.1299	0.1378
I	/	0.18	/	0.0070