

# LB2S thru LB10S

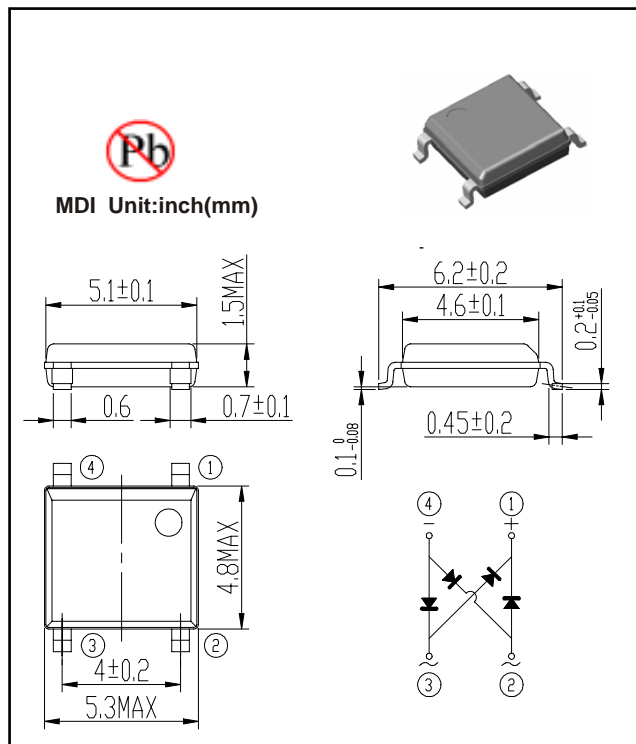
Reverse Voltage 200 and 1000V Forward Current 0.8A

## Features

Low Profile Miniature Glass Passivated Single-Phase  
Surface Mount Bridge Rectifier  
Low Profile: Typical height of 1.4mm  
Ideal for automated placement  
High surge current capability  
Solder Dip 26040seconds

## Mechanical Data

Case:SOPA-4  
Epoxy meets UL-94V-0 Flammability rating  
Terminals:Matte tin plated leads, solderable per  
J-STD-002B and JESD22-B102D  
Polarity:As markde on body



## Maximum Ratings & Electrical Characteristics

Ratings at 25 ambient temperature unless otherwise specified.

Parameter	Symbol	LB2S	LB4S	LB6S	LB8S	LB10S	Unit
Maximum repetitive peak reverse voltage	$V_{RRM}$	200	400	600	800	1000	V
Maximum RMS voltage	$V_{RMS}$	140	280	420	560	800	V
Maximum DC blocking voltage	$V_{DC}$	200	400	600	800	1000	V
Maximum Average forward output rectified current on glass-epoxy P.C.B on aluminum substrate	$I_{F(AV)}$	0.8					A
Peak forward surge current 8.3 ms single sine-wave superimposed on rated load (JEDEC Method)	$I_{FSM}$	30					A
Rating for fusig ( $t < 8.3ms$ )	$I^2t$	3					A <sup>2</sup> sec
Maximum instantaneous forward voltage drop per diode at 0.4A	$V_F$	0.95					V
Maximum DC reverse current at $T_A=25$ rated DC blocking voltage per leg $T_A=125$	$I_R$	5					$\mu A$
Typical thermal resistance per leg (Note 1)	$R_{\theta JA}$ $R_{\theta JL}$	80 25					/W
Operating junction temperature range	$T_J$	-55 to +150					
Storage temperature range	$T_{STG}$	-55 to +150					

Notes: 1. Device mounted P.C.B with 0.47x0.47"(12mmx12mm) Copper Pads.  
2. JEDEC registered values

# LB2S thru LB10S

Reverse Voltage 200 and 1000V Forward Current 0.8A

## RATINGS AND CHARACTERISTIC CURVES

(TA=25 unless on otherwise noted)

